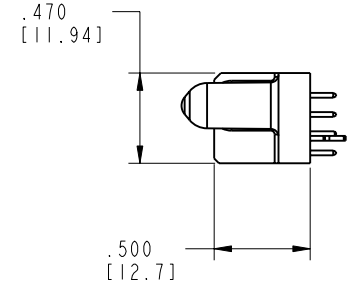
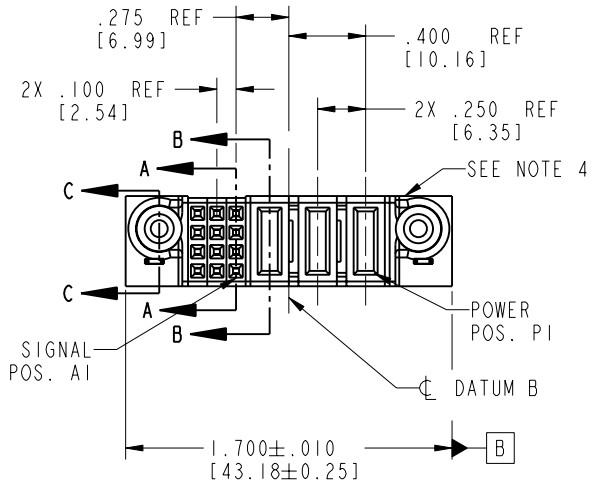


Tous droits strictement réservés. Reproduction ou communication o des liens interdite sous quelque forme que ce soit sans autorisation écrite du propriétaire. Propriete de c FCI. Droits de reproduction FCI.

All rights strictly reserved. Reproduction or issue to third parties in any form whenever is not permitted without written authority from the proprietor. Property of FCI. Copyright FCI.

PRODUCT NO.	ROWS	SIG.			POWER				
		E2	3	2	1	P3	P2	P1	E1
51752-008-- NOTE: 3	D C B A								



CODE	DIM "M" MATING LENGTH	CONTACT TYPE
E	N/A [N/A]	SIGNAL
PD	.092 [2.34]	POWER
HA	N/A [N/A]	HOLD-DOWN
PA	.042 [1.07]	POWER

mat'l code				SEE NOTE 2		tolerances unless otherwise specified		CUSTOMER		 www.fciconnect.com	
ltr	ecn no.	dr	date	linear	.XX±.01/0.X±0.3		COPY		 INCH/MM	title	
A	V03-0704	MEM	6/24/03		.XXX±.005/0.XX±0.13		projection			3P + 12S	
B	DG05-0522	GuoJM	12/07/05		.XXX±.0020/0.XXX±0.051		 scale			VERTICAL SOLDER RECEPT	
				angles	0° ± 2°		product family		PwrBlade		
				dr	M. MOSTOLLER	6/24/03	size		code		
				engr	M. MOSTOLLER	6/24/03	dwg no		213		
				chr	H. BREWBAKER	6/24/03	A		51752-008		
				appd	M. MOSTOLLER	6/24/03	sheet		1 of 4		
sheet index	revision sheet	B	B	B	B		coge code		22526		
		1	2	3	4				4		

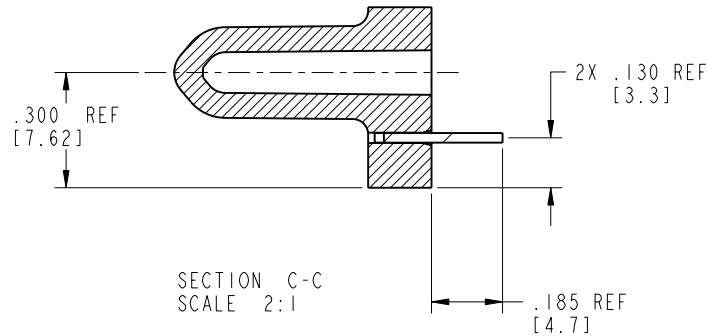
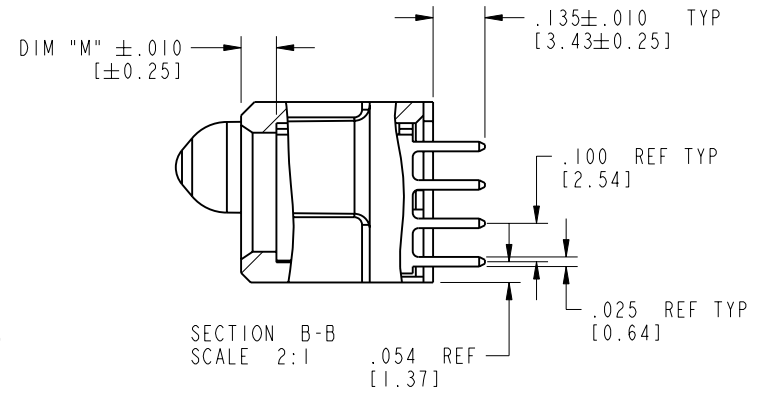
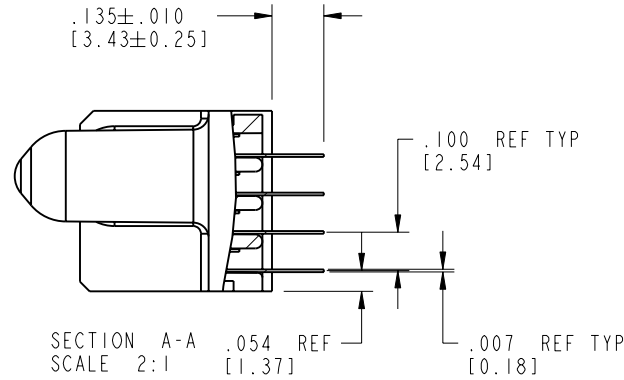
Pro/E


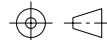
Tous droits strictement réservés. Reproduction ou communication o des liers interdite sous quelque forme que ce soit sans autorisation écrite du propriétaire. Propriete de c FCI. Droits de reproduction FCI.

All rights strictly reserved. Reproduction or issue to third parties in any form, whatever is not permitted without written authority from the proprietor. Property of FCI. Copyright FCI.

PRODUCT NUMBER

51752-008--
NOTE: 3



mat'l code		SEE NOTE 2		tolerances unless otherwise specified		CUSTOMER		 FCI www.fciconnect.com			
lfr	ecn no.	dr	date	linear	.XX±.01/0.X±0.3	COPY				title	
B				projection	.XXX±.005/0.XX±0.13			3P + 12S			
				angles	.XXX±.0020/0.XXX±0.051			INCH/MM		VERTICAL SOLDER RECEIPT	
				dr	M. MOSTOLLER 6/24/03	scale 1:1		product family	PwrBlade	code	
				engr	M. MOSTOLLER 6/24/03			size	dwg no	213	
				chr	H. BREWBAKER 6/24/03			A	51752-008	sheet	
				appd	M. MOSTOLLER 6/24/03					2 of 4	
sheet index	revision sheet										

Pro/E

cage code 22526

PDM: Rev:B

STATUS: Released

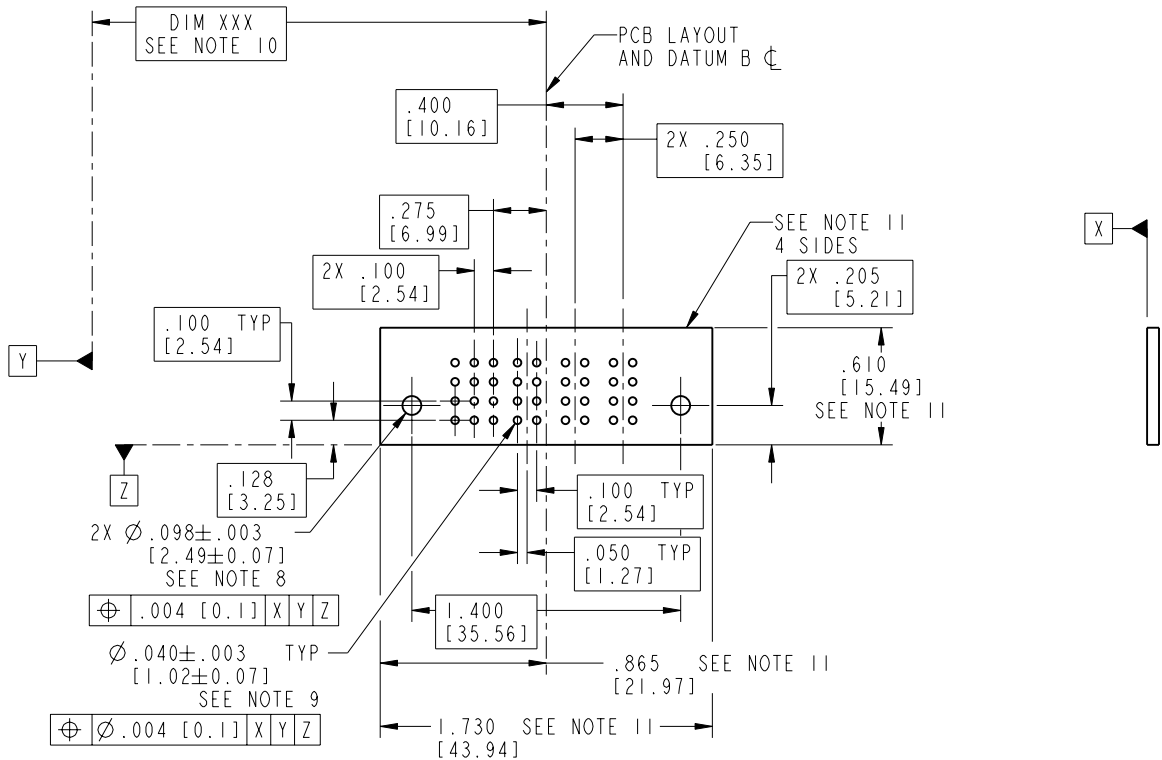
Printed: Aug 14, 2007

Tous droits strictement reserves. Reproduction ou communication o des liers interdite sous quelque forme que ce soit sans autorisation ecrite du proprietaire. Propriete de c FCI. Droits de reproduction FCI.

All rights strictly reserved. Reproduction or issue to third parties in any form, whatever is not permitted without written authority from the proprietor. Property of FCI. Copyright FCI.

PRODUCT NUMBER

51752-008--
NOTE: 3



mat'l code		SEE NOTE 2		tolerances unless otherwise specified		CUSTOMER		 www.fciconnect.com	
lfr	ecn no.	dr	date	linear	.XX±.01/0.XX±0.3	COPY			
B				projection	.XXX±.005/0.XX±0.13			title 3P + 12S	
				angles	.XXX±.0020/0.XXX±0.051			VERTICAL SOLDER RECEIPT	
				dr	M. MOSTOLLER 6/24/03	INCH/MM		product family PwrBlade	
				enrg	M. MOSTOLLER 6/24/03	scale 1:1		code 213	
				chr	H. BREWBAKER 6/24/03			size 51752-008	
				appd	M. MOSTOLLER 6/24/03			sheet 3 of 4	
sheet index	revision sheet								

cage code 22526

Pro/E

Tous droits strictement réservés. Reproduction ou communication o des liers interdite sous quelque forme que ce soit sans autorisation écrite du propriétaire. Propriete de c FCI. Droits de reproduction FCI.

A **FCI**

All rights strictly reserved. Reproduction or issue to third parties in any form, whenever is not permitted without written authority from the proprietor. Property of FCI. Copyright FCI.

B

PRODUCT NUMBER

51752-008__
NOTE: 3

NOTES:

1. DIMENSIONS AND TOLERANCES ARE IN ACCORDANCE WITH ASME Y14.5M, 1994 UNLESS OTHERWISE SPECIFIED.

CONNECTOR NOTES:

② HOUSING MATERIAL: UL 94 V-0 GLASS FILLED
HIGH-TEMP THERMOPLASTIC
POWER CONTACT MATERIAL: COPPER ALLOY
SIGNAL PIN MATERIAL: COPPER ALLOY

3. PLATING:

51752-008 Singal Pin:30u"/0.76um Au OVER 50u"/1.27um Ni ON THE CONTACT AREA.
AND 100u"/2.54um SnPb PLATING OVER 50u"/1.27um Ni ON THE TERMINATION SECTION.
Power Pin:30u"/0.76um Au OVER 50u"/1.27um Ni ON THE CONTACT AREA,
AND 100u"/2.54um SnPb PLATING OVER 50u"/1.27um Ni ON THE TERMINATION SECTION.

51752-008LF Singal Pin:30u"/0.76um Au OVER 50u"/1.27um Ni ON THE CONTACT AREA.
AND 78u"/2.00um Sn PLATING OVER 50u"/1.27um Ni ON THE TERMINATION SECTION.
Power Pin:30u"/0.76um Au OVER 50u"/1.27um Ni ON THE CONTACT AREA,
AND 78u"/2.00um Sn PLATING OVER 50u"/1.27um Ni ON THE TERMINATION SECTION.

PART NUMBER 51752-008LF MEETS EUROPEAN UNION DIRECTIVE AND OTHER ICOUNTRY REGULATIONS AS DESCRIBED IN GS-22-008.

THE HOUSING WILL WITHSTAND EXPOSURE TO 260° PEAK TEMPERATURE FOR 10 SECONDS IN A WAVE SOLDER APPLICATION WITH A CIRCUIT BOARD.

④ MANUFACTURER'S NAME, P/N, AND DATE CODE TO APPEAR ON THIS SURFACE.

5. PRODUCT SPECIFICATION GS-12-149.
APPLICATION SPECIFICATION BUS-20-067.

6. PACKAGED IN TRAYS.

PCB NOTES:


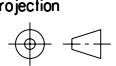
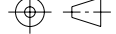

7. ALL HOLE DIAMETERS ARE FINISHED HOLE SIZE.

⑧ MOUNTING HOLES, WHERE APPLICABLE, ARE UNPLATED.

⑨ $\varnothing .0453 \pm .0010$ [1.151 \pm 0.025] DRILLED HOLES PLATED WITH .0003 [0.008] MIN SnPb OVER .001 [0.03] TO .003 [0.08] Cu PLATING TO ACHIEVE $\varnothing .040 \pm .003$ [1.02 \pm .07] HOLE.

⑩ "DIM XXX" TO BE DETERMINED BY THE CUSTOMER.

⑪ CONNECTOR KEEP-OUT ZONE.

mat'l code		SEE NOTE 2		tolerances unless otherwise specified		CUSTOMER		 FCI www.fciconnect.com	
lfr	ecn no.	dr	date	linear	.XX±.01/0.X±0.3	COPY			
B				projection	.XXX±.005/0.XX±0.13			title	
				angles	.XXX±.0020/0.XXX±0.051			3P + 12S	
				dr	M. MOSTOLLER 6/24/03			VERTICAL SOLDER RECEPT	
				engr	M. MOSTOLLER 6/24/03	INCH/MM		product family	
				chr	H. BREWBAKER 6/24/03	scale		PwrBlade	
				appd	M. MOSTOLLER 6/24/03	1:1		code	
sheet index		revision sheet						213	
								4 of 4	
								A 51752-008	

coge code 22526

Pro/E

3

4

PDM: Rev:B

STATUS: **Released**

Printed: Aug 14, 2007